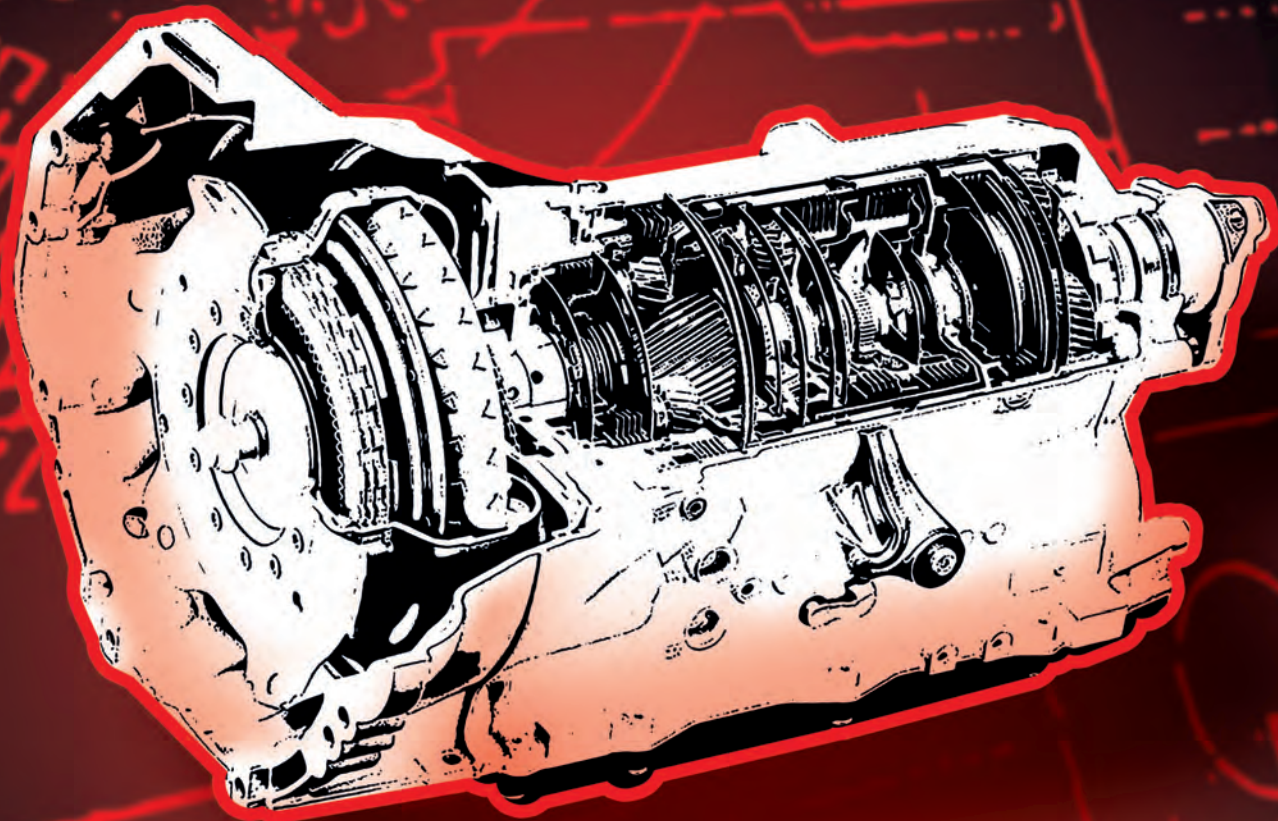
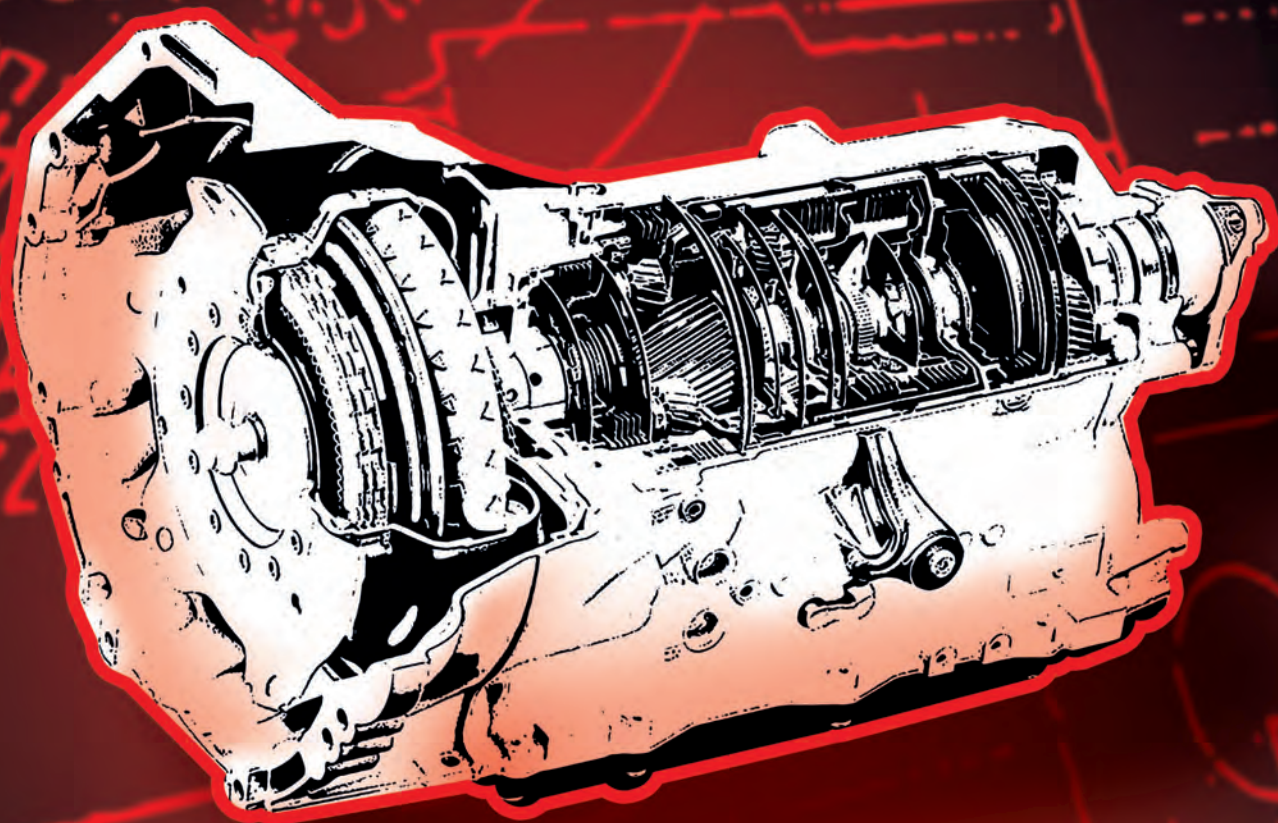


K15



KS TOOLS





Innovation is
our mission!



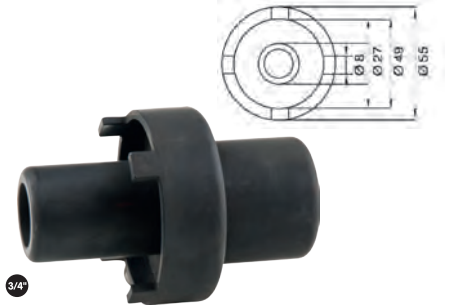
	PAGE
PIN WRENCH	454
BOX SPANNERS	454 - 455
SECURING BOLTS	455
PLIERS	456
PRY BAR	456 - 457
SUPPORT DEVICES	457 - 458
HOOK WRENCH	458 - 459
PULLERS	459 - 461
PRISMS	461
OIL SERVICE TOOLS	461 - 464
HAND PUMPS	464
FILLING	464 - 465
DRIP PANS	465 - 466
OLD OIL FALL ARRESTERS	466

PIN WRENCH

Pin wrench for rear axle shaft flange

- Ideal for actuating the rear axle shaft flange on Mercedes
- For a professional repair
- Special profile
- Internal square drive to DIN 3120 - ISO 1174
- Special steel

Application range: Mercedes W116, W123, W126

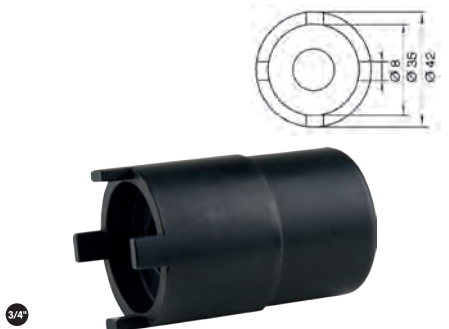


	D mm	L mm	
450.0108	55.0	80.0	420

Pin wrench for transmission flange

- Ideal for actuating the transmission flange on Mercedes
- For a professional repair
- Special profile
- Internal square drive to DIN 3120 - ISO 1174
- Special steel

Application range: Mercedes

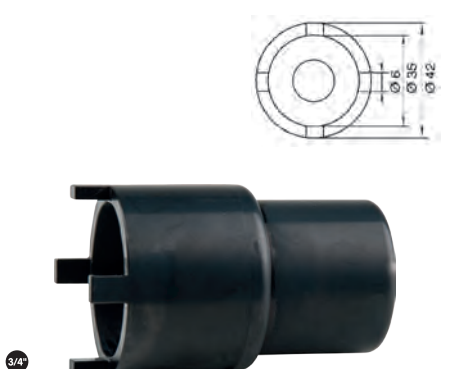


	D mm	L mm	
450.0109	42.0	70.0	440

Pin wrench for differential flange

- Ideal for actuating the differential flange on Mercedes
- For a professional repair
- Special profile
- Internal square drive to DIN 3120 - ISO 1174
- Special steel

Application range: Mercedes



	D mm	L mm	
450.0111	42.0	70.0	370

BOX SPANNERS

12 Point socket, deep

- Ideal for releasing and screwing in securing nuts, e.g. front and rear axle drive shafts, on the wheel bearings as well as wheel bearings or transmission or differential flanges
- 12-point
- Internal square to DIN 3120/ISO 1174 with ball reception
- Long design
- For manual operation
- Matt finish
- Chrome vanadium

Application range: Volkswagen Golf VI, VII, Scirocco, Tiguan, Touran, Passat (3C), Passat CC; Audi A3, TT; Seat Leon, Altea; Škoda Octavia (1Z), Superb (3T), etc.



		D1 mm	D2 mm	L mm	T mm	
917.1272	3/4"	24.0	33.0	29.0	82.0	250

12 Point socket, deep

- Ideal for releasing and screwing in securing nuts, e.g. front and rear axle drive shafts, on the wheel bearings as well as wheel bearings or transmission or differential flanges
- 12-point
- Internal square to DIN 3120/ISO 1174 with ball reception
- Long design
- For manual operation
- Matt finish
- Chrome vanadium

Application range: BMW 1 series (F20)/3 series (E36, E46, E90), Citroën Saxo/C2, Dacia Sandero, Ford Galaxy, Fiat Seicento, Mercedes A class (W168)/C class (W203)/E-class (W211)/SL (W129)/W123/W124/W126 /W201, Opel Astra F/Astra G, Renault Scenic/Clio/Kangoo, Toyota Avensis/Picnic, Volkswagen Golf III/Golf IV/Lupo/Touareg/T5, etc.

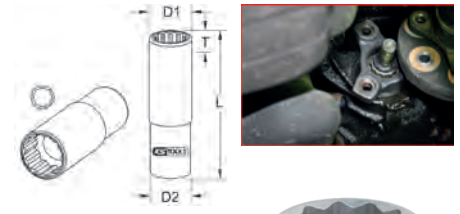


		D1 mm	D2 mm	L mm	T mm	
917.1274	1/2"	30.0	41.0	33.0	82.0	333

12 Point socket, deep

- Ideal for releasing and screwing in securing nuts, e.g. front and rear axle drive shafts, on the wheel bearings as well as wheel bearings or transmission or differential flanges
- 12-point
- Internal square to DIN 3120/ISO 1174 with ball reception
- Long design
- For manual operation
- Matt finish
- Chrome vanadium

Application range: Fiat Punto/Seicento, Ford Fiesta/Fusion/Mondeo, Mercedes C class (W204)/S class (W140), Nissan Almera, Opel Astra H/Vivaro, Subaru Outback, etc.



		D1 mm	D2 mm	L mm	T mm	
917.1275	1/2"	32.0	43.0	35.0	82.0	371

12 Point socket, deep

- Ideal for releasing and screwing in securing nuts, e.g. front and rear axle drive shafts, on the wheel bearings as well as wheel bearings or transmission or differential flanges
- 12-point
- Internal square to DIN 3120/ISO 1174 with ball reception
- Long design
- For manual operation
- Matt finish
- Chrome vanadium

Application range: Mercedes S class (W140), Škoda Fabia, Volkswagen Polo



		D1 mm	D2 mm	L mm	T mm	
911.4354	1/2"	36.0	48.0	38.0	82.0	430

Special torsion bar socket

- Ideal for releasing and securing the nut of the torsion bar, e.g. when removing the transmission, changing the wheel bearings or when disassembling the brake force compensator
- Time-saving assembly and disassembly
- For exact calibration
- Internal square to DIN 3120/ISO 1174 with ball reception
- Bored deep
- Specially determined lengths
- Matt finish
- Chrome vanadium

Application range: Volkswagen T4



	mm	L mm	D1 mm	D2 mm	T mm	g
911.4356	27,0	140,0	36,0	30,0	30,0	520

Transmission housing drive socket

- Suitable for hard to reach transmission housing screws
- Allows for secure mounting and makes it reachable
- Secure fix
- Weight-loading universal joint
- Compact shape
- Chrome plated and mirror polished
- Chrome vanadium

Application range: Opel



	Length mm	g	
150.9201	E18	70,0	144

Drive shaft bit socket for spline (XZN®) screws

- Ideally suited to assembly and disassembly of screws on drive shaft flange (transmission side) from the wheel casing
- Internal square drive to DIN 3120/ISO 1174 with ball reception
- Extra-long execution
- With sand blasted bit insert
- Matt finish
- Chrome vanadium

Application range: Audi, Seat, Škoda, Volkswagen, etc.



	L mm	g	
150.1720	M8	800.0	580
150.1725	M10	800.0	580
150.1730	M12	800.0	580
150.1735	M14	800.0	580

Drive shaft-bit socket-set for spline (XZN®)-Screws

- Ideally suited to assembly and disassembly of screws on drive shaft flange (transmission side) from the wheel casing
- Internal square drive to DIN 3120/ISO 1174 with ball reception
- Extra-long execution
- With sand blasted bit insert
- Matt finish
- Chrome vanadium

Application range: Audi, Seat, Škoda, Volkswagen, etc.

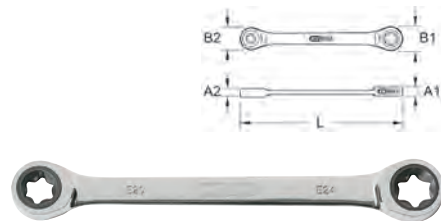


	g	
150.1740	4 pcs M8 - M10 - M12 - M14	2.50

GEARplus® Double ring ratchet spanner for TX E profile

- Ideally suited for the assembly and disassembly in tight-fitting areas and changing the transmission
- TX-E
- Straight form
- Exact gearing with 72-teeth
- Chrome plated and mirror polished
- Chrome vanadium

Application range: Ford Galaxy, Seat Alhambra, Volkswagen Sharan, etc.



	A1 mm	A2 mm	B1 mm	B2 mm	L mm	g	
503.4351	E6 x E8	6.5	6.9	16.8	20.2	128.0	70
503.4353	E10 x E12	7.3	7.7	20.2	21.8	150.0	60
503.4355	E14 x E18	9.0	9.9	26.5	29.5	190.0	150
503.4357	E20 x E24	10.3	11.2	31.5	33.5	230.0	230

GEARplus® Double ring ratcheting spanner set for TX E profile

- Ideally suited for the assembly and disassembly in tight-fitting areas and changing the transmission
- TX-E
- Straight form
- Exact gearing with 72-teeth
- Chrome plated and mirror polished
- Chrome vanadium

Application range: Ford Galaxy, Seat Alhambra, Volkswagen Sharan, etc.



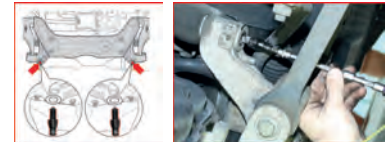
	g	
503.4364	4 pcs E6xE8 - E10xE12 - E14xE18 - E20xE24	475

SECURING BOLTS

VAG M12 subframe locating pin set

- Ideally suited for adjustment of the subframe (chassis) when assembling
- It is necessary to renew the rubber bushes as well as for all work when the subframe is disassembled
- Allows for great time saving, since a the axle does not need to be measured
- Simple assembly
- Special steel
- In durable plastic storage case

Application range: Volkswagen Scirocco (>2009), Eos (>2006), Golf (>2009), Golf Plus (>2005), Jetta (2004 – 2006), Polo (>2002), Fox (>2006), Passat (>2006)



	X	g
150.2675	4 pcs VAG M12 subframe locating pin set	300

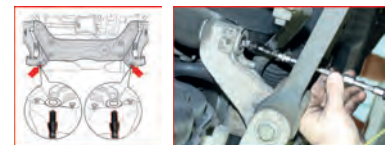
consists of:

	X	g
150.2676	4 VAG securing bolt for subframe, M12 X 1.5	42

VAG M14 subframe locating pin set

- Ideally suited for adjustment of the subframe (chassis) when assembling
- It is necessary to renew the rubber bushes as well as for all work when the subframe is disassembled
- Allows for great time saving, since a the axle does not need to be measured
- Simple assembly
- Special steel
- In durable plastic storage case

Application range: Audi A3 (>2004), TT (>2007), A4 (>2001) Volkswagen Passat (>2009), Crafter, T5, Touareg 2.5 l TDI (>2004)



	X	g
150.2680	4 pcs VAG M14 subframe locating pin set	300

consists of:

	X	g
150.2681	4 VAG securing bolt for subframe, M14 X 1.5	42

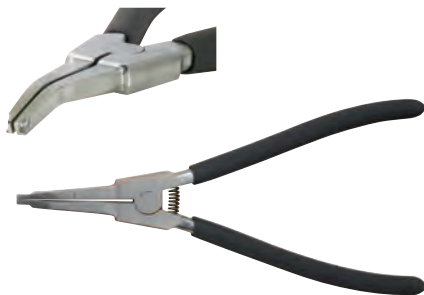
	X	g
150.2681	4 VAG securing bolt for subframe, M14 X 1.5	42

PLIERS

Drive shaft securing ring teeth with 30° angled tips

- 30° angled
- With PVC dipped handle
- Self-closing
- Plier head with cut out and ring stop body
- For the disassembly and assembly of nut caps without lug retainer
- Chrome vanadium

Application range: For the dismantling of the external (bellow joints in the exchange of the axle boots and / or the drive shaft sleeves). e.g.: for Audi, Opel, Volkswagen (Golf, T4), Fiat, Mitsubishi.



	A mm	L1 mm	L2 mm	g
115.0991	0-33	210.0	50.0	215

Drive shaft securing ring teeth with slightly angled tips

- Slightly angled
- With PVC dipped handle
- Self-closing
- Checkered plier head
- For the disassembly and assembly of drive shaft circlips without lug retainer
- Slip proof
- Chrome vanadium

Application range: For the removal of external circlips e.g. on synchronisation joints

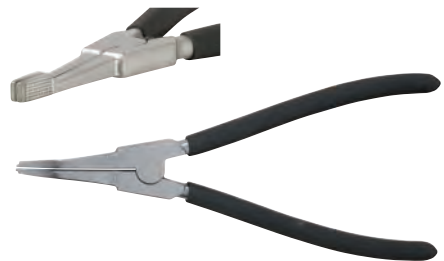


	A mm	L1 mm	L2 mm	g
115.0992	0-37	210.0	50.0	256

Drive shaft securing ring teeth with straight tips

- Straight form
- With PVC dipped handle
- Self-closing
- Checkered plier head
- For the disassembly and assembly of drive shaft circlips without lug retainer
- Slip proof
- Chrome vanadium

Application range: For the removal of external circlips e.g. on drive shafts, transmissions, etc



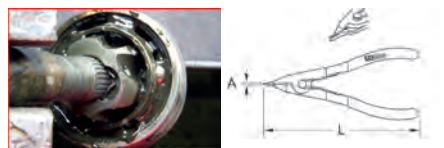
	A mm	L1 mm	L2 mm	g
115.0993	0-37	210.0	48.0	220



Drive shaft securing ring teeth with serrated tips

- With PVC dipped handle
- Serrated and angular tips
- Self-closing
- For assembly and disassembly of the securing rings on drive shafts
- For external security rings
- No slipping due to the serrated tips
- Chrome molybdenum

Application range: Opel, Mercedes, Volkswagen, etc.

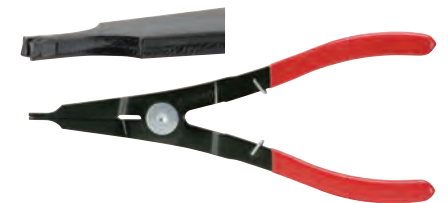
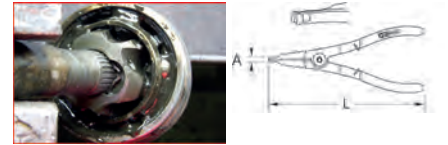


	A mm	L mm	g
115.1048	0-20	210.0	220

Drive shaft securing ring teeth with shaped tips

- With PVC dipped handle
- Shaped tips
- Self-closing
- For assembly and disassembly of the securing rings on drive shafts
- For external security rings
- No slipping due to the serrated tips
- Chrome molybdenum

Application range: BMW, Opel, Ford, Mercedes, Volkswagen, etc.



	A mm	L mm	g
115.1049	0-20	240.0	600

PRY BAR

Pry bar

- Ideally suited to assembly and disassembly work
- For pressure testing securely-fitted parts
- Suitable for positioning parts or holding parts in place
- 1 piece handle
- Hardened
- Chrome molybdenum



	D mm	L1 mm	L2 mm	g
911.8101	11.0	200.0	115.0	130
911.8102	15.0	300.0	185.0	220
911.8103	18.0	450.0	320.0	420
911.8104	18.0	600.0	470.0	560

Pry bar sets

- Ideally suited to assembly and disassembly work
- For pressure testing securely-fitted parts
- Suitable for positioning parts or holding parts in place
- 1 piece handle
- Hardened
- Chrome molybdenum



	A mm	L mm	g
911.8100	4 pcs	11 x 115 mm - 15 x 185 mm - 18 x 320 mm - 18 x 470 mm	1.33

Mechanics pry bar

- Angular lever end guarantees non-slip surface
- With go through blade and hammer cap
- Ideally suited to assembly and disassembly work
- For pressure testing securely-fitted parts
- Suitable for positioning parts or holding parts in place
- Suitable for the testing of defective bearings
- With two component handle
- Heavy design especially for commercial vehicles
- Special steel



	Bend radius	L mm	kg
911.8411	0°	900.0	1.70
911.8412	45°	900.0	1.75
911.8413	75°	600.0	1.17
911.8414	90°	600.0	1.20
911.8415	45°	1120.0	4.75

Mechanics pry bar set

- Angular lever end guarantees non-slip surface
- With go through blade and hammer cap
- Ideally suited to assembly and disassembly work
- For pressure testing securely-fitted parts
- Suitable for positioning parts or holding parts in place
- Suitable for the testing of defective bearings
- With two component handle
- Heavy design especially for commercial vehicles
- Special steel
- In durable plastic storage case



		kg
911.8410	4 pcs Mechanics pry bar set	8.70

consists of:

		kg
911.8411	Mechanics pry bar, straight 900 mm	1.70
911.8412	Mechanics pry bar 45°, angled head 900 mm	1.75
911.8413	Mechanics pry bar 75°, angled head 600 mm	1.17
911.8414	Mechanics pry bar 90°, angled head 600 mm	1.20



Intexable ratchet pry bar

- Extremely versatile and robust execution
- Variable adjustable roll head
- Maximum power transmission in the narrowest area
- Optimal leverage in minimal work area
- Ideally suited for commercial vehicles
- Special steel



	L mm	kg
911.8176	250.0	600
911.8177	300.0	600
911.8178	400.0	600
911.8179	620.0	1810

Adjustable joint roll head pry bar set

- Extremely versatile and robust execution
- Variable adjustable roll head
- Maximum power transmission in the narrowest area
- Optimal leverage in minimal work area
- Ideally suited for commercial vehicles
- Special steel



		kg
911.8175	3 pcs Adjustable joint roll head pry bar set	1.20

consists of:

		kg
911.8176	Ratched pry bar, 10"	600
911.8177	Ratched pry bar, 12"	600
911.8178	Ratched pry bar, 15"	600

Roller head telescopic pry bar

- Handle can be lengthened by the push button in ratchet steps
- Rolling head adjustable in stages
- Extra thin with embedded rolling head
- Maximum power in the smallest areas
- Optimal leverage in minimal work area
- Ideally suited to assembly and disassembly work
- For pressure testing securely-fitted parts
- Suitable for positioning parts or holding parts in place
- Suitable for the testing of defective bearings
- Ideal for use in passenger cars and commercial vehicles
- Special steel



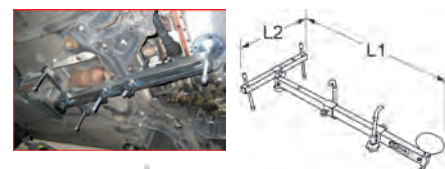
	L mm	H mm	B mm	kg
911.8186	325-460	90.0	12.0	780
911.8187	600-915	120.0	20.0	1900
911.8188	865-1350	145.0	24.0	4260

SUPPORT DEVICES

Universal engine supporting beam

- Highest flexibility thanks to adjustable and flexibly positionable construction
- Universal usage
- Simple handling and quick repair
- Hooks rotatable and adjustable in longitudinal direction
- Supporting plates height adjustable with non slip feet
- Secure supporting of engine or transmission
- Assembly and access unhindered below possible, through it to the engine compartment
- Special steel

Application range: Timing belt changing, clutch changing, etc.



	L1 mm	L2 mm	H mm	kg
160.0090	1020.0	510.0	300.0	8.60

Hydraulic transmission jack

- Ideal for installing and removing motors, transmissions, couplings, etc.
- Uncomplicated lifting with hydraulic foot pump
- Continuous adjustment allows for precise positioning
- Slow release of the load possible with hand wheel
- Includes overload valve
- With integrated safety stop handle
- High stability due to wide wheel spacing
- Good manoeuvrability through four oil and acid resistant nylon direct castors
- Extra-large covering for lifting
- Wide wheel spacing ensures more stability and manoeuvrability when loaded
- Robust shape



	Max load kg	Min total height mm	Max total height mm	Worm mm	kg
160.0327	300	1200.0	2040.0	610.0	32.00
160.0324	500	1200.0	2040.0	610.0	34.00
160.0329	1000	1200.0	2040.0	610.0	48.00

Hydraulic transmission lever with adjustable and inclining table

- Ideal for the safe installing and removing of motors, transmission, couplings, etc.
- Tough design
- Uncomplicated lifting with hydraulic foot pump
- Continuous adjustment allows for precise positioning
- Especially wide working area
- Slow release of the load possible with the foot pump
- Includes overload valve
- With integrated safety stop handle
- Ground plate can be inclined and adjusted into position/horizontal + 40 mm/inclination -10°/+20°
- Includes 420 mm wide support rail with support chains for secure tensioning
- Chains can be adjusted from 130-430 mm
- High stability due to wide wheel spacing
- Transmission holder attached to the piston rod
- Includes transmission holder
- Good manoeuvrability through four oil and acid resistant nylon direct castors
- Extra-large covering for lifting
- Wide wheel spacing ensures more stability and manoeuvrability when loaded
- Robust shape

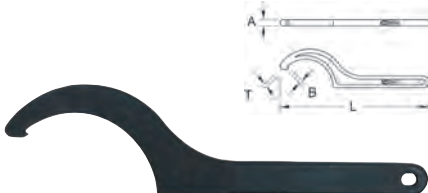


	Max load kg	Min total height mm	Max total height mm	Length mm	Width mm	Weight kg
160.0334	500	880.0	1870.0	700.0	800.0	67.00

HOOK WRENCH

Fixed hook wrench with nose

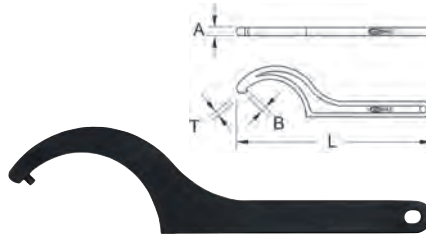
- In accordance to DIN 1810 Form A
- With hanging hole
- For slotted nuts
- Burnished
- Chrome vanadium



	mm	A mm	B mm	L mm	T mm	Weight kg
517.1370	12 - 14	2.5	2.0	109.5	1.5	22
517.1371	16 - 20	2.5	2.0	109.5	1.5	22
517.1372	25 - 28	4.0	2.5	135.9	2.0	36
517.1373	30 - 32	4.0	2.5	135.9	2.0	36
517.1374	34 - 36	5.0	3.0	170.2	2.0	82
517.1375	40 - 42	5.0	3.0	170.3	2.0	76
517.1376	45 - 50	6.0	3.5	195.0	2.0	132
517.1377	52 - 55	7.0	3.5	220.0	2.5	176
517.1378	58 - 62	7.0	4.0	240.0	2.5	224
517.1379	68 - 75	7.6	4.0	260.0	3.0	280
517.1380	80 - 90	8.0	5.0	280.0	3.5	368
517.1381	92 - 100	8.0	5.0	280.0	3.5	394
517.1382	110 - 115	9.5	5.0	334.9	4.0	590
517.1383	120 - 130	9.5	5.0	334.9	4.0	540

Fixed hook wrench with pin

- In accordance to DIN 1810 Form B
- With hanging hole
- For pin type round nuts
- Burnished
- Chrome vanadium

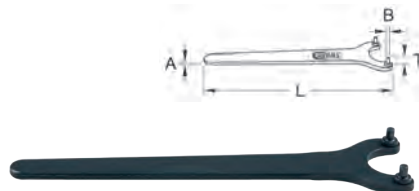


	mm	A mm	B mm	L mm	T mm	Weight kg
517.1471	12 - 14	3.8	2.0	110.0	1.5	25
517.1472	16 - 18	4.5	2.5	135.0	2.0	25
517.1473	20 - 22	4.5	2.5	135.0	2.0	25
517.1474	25 - 28	5.5	3.0	170.0	2.5	55
517.1488	30 - 32	5.5	3.0	170.0	2.5	55
517.1476	12 - 14	6.5	3.5	205.0	3.0	100
517.1477	12 - 14	3.8	3.5	205.0	3.0	100
517.1478	45 - 50	7.5	4.0	240.0	3.5	165
517.1479	52 - 62	7.5	4.0	240.0	3.5	165
517.1480	58 - 62	8.5	5.0	280.0	4.0	270
517.1481	68 - 75	8.5	5.0	280.0	4.0	240
517.1482	80 - 90	10.3	5.0	335.0	4.0	410
517.1483	95 - 100	10.3	5.0	335.0	4.0	410
517.1484	110 - 115	12.3	6.0	385.0	5.0	610
517.1485	120 - 130	12.3	6.0	385.0	5.0	610
517.1486	135 - 145	14.3	6.0	465.0	5.0	790
517.1487	155 - 165	14.3	6.0	465.0	5.0	790



Pin-type face wrench

- DIN 3,116 A
- Phosphate
- Special steel



	mm	A mm	B mm	L mm	T mm	Weight kg
517.2013	13	3.0	2.5	90.0	3.0	27
517.2015	15	3.0	3.0	90.0	4.0	27
517.2020	20	4.0	3.0	122.0	5.0	50
517.2025	25	4.0	3.0	137.0	4.0	65
517.2030	30	4.0	4.0	164.0	5.0	85
517.2035	35	5.0	5.0	180.0	6.0	120
517.2040	40	5.0	4.0	167.0	5.0	120
517.2045	45	5.0	4.0	187.0	5.0	145
517.2050	50	5.0	5.0	198.0	6.0	175
517.2060	60	6.0	5.0	213.0	6.0	220
517.2075	75	6.0	6.0	243.0	7.0	330
517.2090	90	6.0	7.0	270.0	7.5	410

Pin-type face wrench set, seamlessly adjustable with interchangeable pins

- Universal application for common two-hole nuts
- With interchangeable pins
- Each double pin wrench is replacing 4 single key sizes
- Adjustable in diameter
- Phosphate finish
- Special steel
- In durable plastic storage case



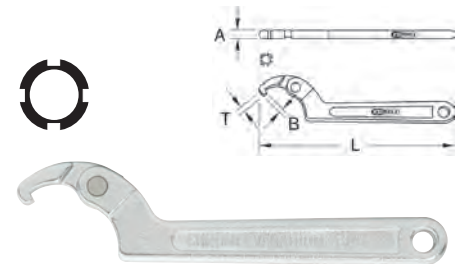
	Weight kg
150.3205 19 pcs Pin-type face wrench set, seamlessly adjustable with interchangeable pins	1.56

consists of:

	Weight kg
150.3206 Pin-type face wrench, adjustable, length 263 mm	485
150.3207 Pin-type face wrench, adjustable, length 215 mm	293
150.3208 Pin-type face wrench, adjustable, length 161 mm	155
150.3209 Pin-type face wrench, adjustable, length 115 mm	57
150.3210 Pin pair, Ø 2.37 mm	2
150.3211 Pin pair, Ø 2.90 mm	2
150.3212 Pin pair, Ø 4.87 mm	5
150.3213 Pin pair, Ø 5.91 mm	7
150.3214 Pin pair, Ø 6.87 mm	13
150.3215 Pin pair, Ø 7.92 mm	15
150.3216 Pin pair, Ø 9.87 mm	28
150.3217 Pin pair, Ø 11.90 mm	37

Hook wrench with nose

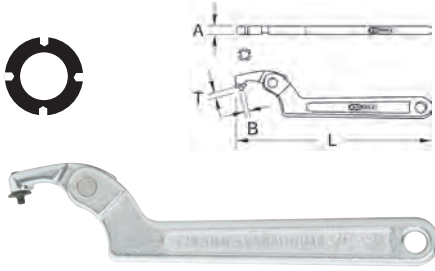
- In accordance to DIN 1810 Form A
- With flexible head
- With hanging hole
- For slotted nuts
- Matt finish
- Chrome vanadium



	mm	A mm	B mm	L mm	T mm	Weight kg	
517.1302	19-50	3/4-2"	9.0	3.5	162.0	2.9	100
517.1303	32-76	1.1/4-3"	11.5	4.5	205.0	3.7	210
517.1304	50-120	2-4.3/4"	12.4	6.5	295.0	4.6	420
517.1305	114-158	4.1/2-6.1/4"	12.4	9.8	315.0	8.3	440

Flexible hook wrench with pin

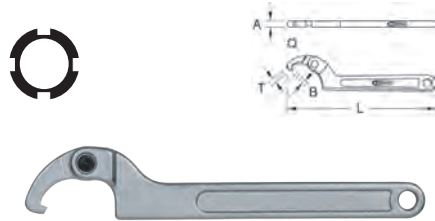
- In accordance to DIN 1810 Form B
- With flexible head
- With hanging hole
- For pin type round nuts
- Matt finish
- Chrome vanadium



	mm	mm	A mm	B mm	L mm	T mm	kg
517.1312	19-50	3/4-2"	9.2	4.0	165.0	4.0	110
517.1313	32-76	1.1/4-3"	11.3	5.0	210.0	4.7	220
517.1314	50-120	2-4.3/4"	12.5	6.0	295.0	5.5	420
517.1315	114-158	4.1/2-6.1/4"	12.6	8.0	320.0	7.6	440

Hook wrench with nose

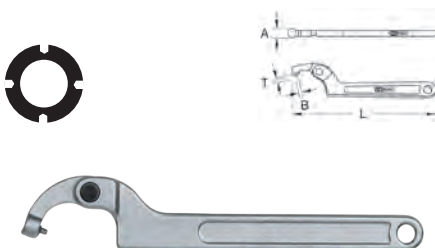
- In accordance to DIN 1810 Form A
- With flexible head
- With hanging hole
- For slotted nuts
- Matt finish
- Chrome vanadium



	mm	A mm	B mm	L mm	T mm	kg
517.1316	13 - 35	5.2	3.2	175.0	3.2	96
517.1317	35 - 50	5.9	4.0	202.0	4.2	186
517.1318	50 - 80	7.5	4.9	280.0	5.2	392
517.1319	80 - 120	8.2	5.3	345.0	5.8	656
517.1320	120 - 180	10.8	8.9	465.0	7.8	1286

Flexible hook wrench with pin

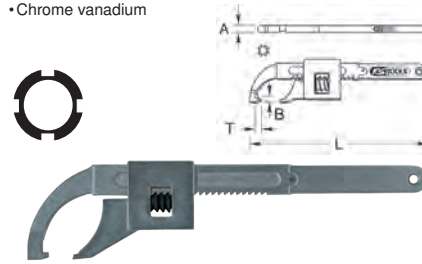
- In accordance to DIN 1810 Form B
- With flexible head
- With hanging hole
- For pin type round nuts
- Matt finish
- Chrome vanadium



	mm	A mm	B mm	L mm	T mm	kg
517.1323	15 - 35	9.8	2.8	177.0	2.8	96
517.1324	35 - 50	10.7	3.8	202.0	3.6	186
517.1325	50 - 80	14.0	4.8	280.0	5.0	380
517.1326	80 - 120	17.2	5.8	345.0	7.0	652
517.1327	120 - 180	19.2	7.8	465.0	9.0	1318

Hook wrench with nose

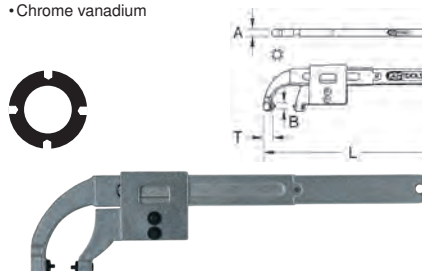
- In accordance to DIN 1810 Form A
- With flexible head
- With hanging hole
- For slotted nuts
- Infinitely variable
- Matt finish
- Chrome vanadium



	mm	A mm	B mm	L mm	T mm	kg
517.1397	10 - 50	7.6	4.2	210.0	4.5	380
517.1398	20 - 100	8.2	6.8	360.0	5.5	840
517.1399	30 - 200	10.6	9.4	570.0	7.0	2250

Flexible hook wrench with pin

- In accordance to DIN 1810 Form B
- With flexible head
- With hanging hole
- For pin type round nuts
- Infinitely variable
- Matt finish
- Chrome vanadium



	mm	A mm	B mm	L mm	T mm	kg
517.1328	10-50	8.3	2.6	210.0	2.5	380
517.1329	20-100	12.3	4.0	360.0	4.5	840
517.1330	30-200	17.3	5.8	570.0	4.8	2250

PULLERS

Transmission puller set with slim hooks for Volkswagen, Ø 20 - 90 mm

- With quick release function
- Ideal for confined spaces
- Through reconnecting the hooks internal and external applications are suitable
- Different hook variants and hydraulic spindles can be retrofitted
- Extremely robust spindle with inductively hardened thread
- Special steel
- In durable plastic storage case



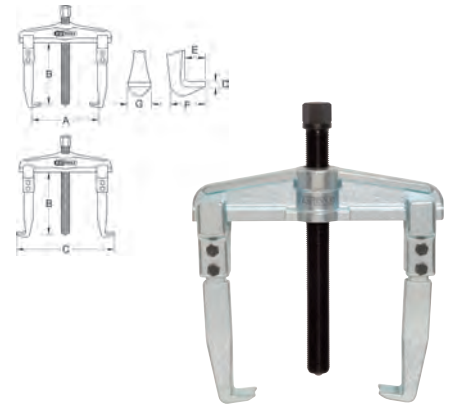
	A mm	B mm	mm	max t	kg	
625.1701	7 pcs	20 - 90	100	M14 x 1,5	5,5	2,30

consists of:

		kg
620.1701	Quick release universal 2 arm puller, 20-90mm	1.00
630.1701	Quick release 3 arm puller, 20-90mm	1.30
980.1090	Special thread grease, tube	0.01

Universal 2 arm puller

- Through reversing the arms internal and external applications are possible
- Hydraulic spindles available for thread G1/2" / G3/4" / G1"
- Extremely robust spindle with inductively hardened thread
- Special steel

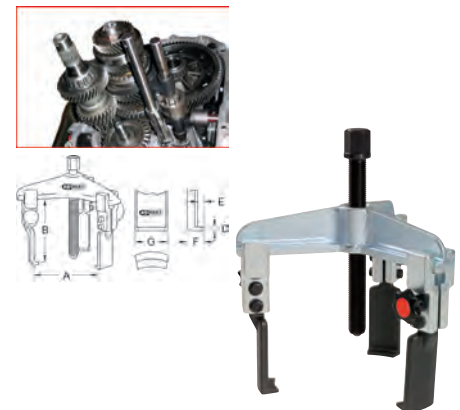


	A mm	B mm	C mm	max t	mm	D mm	E mm	F mm	G mm	kg	
620.0101	20-90	100	70-130	4.5	M14x1,5 x 140	17	3	13	25	20	1.00
620.0102	25-130	100	25-130	4.5	M14x1,5 x 140	17	3	13	25	20	1.20
620.0103	50-150	150	50-150	6.5	G1/2"x14g x 210	22	4	16	35	25	3.00
620.0104	60-200	150	60-200	6.5	G1/2"x14g x 210	22	4	16	35	25	3.30
620.0105	80-250	200	80-250	11	G3/4"x14g x 280	27	5	25	54	35	7.40
620.0106	80-350	200	80-350	11	G3/4"x14g x 280	27	5	25	54	35	8.50
620.0107	110-520	200	110-520	13	G3/4"x14g x 280	27	5	25	54	35	13.00
620.0108	170-640	225	170-640	18	G1"x11g x 310	36	10	33	55	50	23.70

Transmission puller set with slim hooks for Volkswagen

- For removing the 5th or 6th transmission
- Includes 2 and 3 arm traverse
- The very thin arms are specially adapted for this use
- With quick tension function
- Saves a lot of time
- Slim hooks
- Ideal for confined spaces
- Uniform load distribution and centred tightening
- Through reconnecting the hooks internal and external applications are suitable
- Extremely robust spindle with inductively hardened thread
- Requires light expenditure of energy
- Special steel

Application range: Volkswagen Golf V, Golf V Plus, Touran, etc.



	A mm	B mm	max t	mm	D mm	E mm	F mm	G mm	kg	
630.1101	20-90	100	5	M14x1,5 x 130	17	3,6	6	13	27	1,30

Universal puller set

- Slim hooks
- Ideal for confined spaces
- Uniform load distribution and centered tightening
- Through reconnecting the hooks internal and external applications are suitable
- Different hook variants and hydraulic spindles can be retrofitted
- Extremely robust spindle with inductively hardened thread
- Requires light expenditure of energy
- Special steel



700.1300	12 pcs	Universal puller set	6.69
----------	--------	----------------------	------

consists of:

700.1311	Spindle, M14x1,5	180
700.1312	Two armed traverse	485
700.1313	Three armed traverse	675
700.1314	Puller arm, 100mm	250
700.1315	Puller arm, 210mm	530
700.1316	Puller arm, 260mm	640



Universal clamping yoke

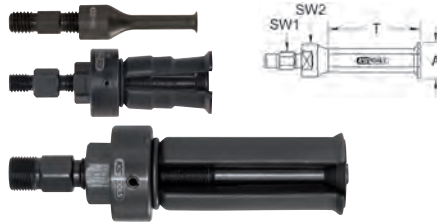
- For universal 2 arm puller
- Clamping yoke compresses the legs firmly
- Prevents slipping
- Special steel



615.5101	A mm	800
	10-130	

Precision internal extractor

- Centering shaft
- For the accurate fitting of bearings and bushes
- Special steel



	A mm	Connection Thread mm	SW1 mm	SW2 mm	T mm	max N·m	kg
660.0101	5-7	M10	10	13	30.0	3	50
660.0102	6-8	M10	10	13	30.0	3	50
660.0103	7-9	M10	10	13	30.0	7	50
660.0104	8-10	M10	10	13	30.0	7	50
660.0105	9-12	M10	10	13	30.0	12	50
660.0106	10-13	M10	10	13	30.0	15	50
660.0107	12-15	M10	10	13	30.0	15	50
660.0108	13-17	M10	10	13	50.0	24	70
660.0109	14-19	M10	10	13	60.0	28	90
660.0111	15-20	M10	10	13	60.0	28	90
660.0112	16-21	M10	10	13	60.0	32	90
660.0113	18-23	M10	10	17	60.0	40	110
660.0114	20-25	M10	10	17	60.0	40	110
660.0115	22-27	M10	10	17	60.0	40	110
660.0116	25-30	M10	10	17	60.0	40	120
660.0117	25-40	M10	13	19	45.0	45	260
660.0118	28-35	M10	10	17	60.0	45	280
660.0119	30-37	M10	17	22	70.0	45	280
660.0121	35-42	M10	17	22	70.0	45	280
660.0122	38-45	M10	17	22	70.0	45	290
660.0123	40-47	M10	17	22	70.0	45	300
660.0124	43-50	M10	17	22	70.0	45	310
660.0125	40-75	G 3/8"	17	27	100.0	45	760
660.0126	45-55	G 3/8"	19	27	100.0	45	650
660.0127	50-60	G 3/8"	19	27	100.0	45	680
660.0128	70-115	G 3/8"	19	27	130.0	45	1400

Double ended support for internal extractor

- Extremely robust spindle with inductively hardened thread
- Special steel



	A mm	max N·m	mm	Internal extractors	mm	kg
660.0601	35-75	30	12	M10	M16x1,5 x 136	0.70
660.0602	60-130	60	19	M10xG3/8"	M24x1,5 x 160	1.60
660.0603	60-130	60	19	G3/8"	M24x1,5 x 160	1.50
660.0604	60-210	70	19	G3/8"	M24x1,5 x 160	3.70
660.0605	55-205	100	22	G3/8"	G1/2"x14g x 210	3.80

Slide hammer

- Suitable for small ball bearings
- Ideal for limited access areas
- Special steel



	L1 mm	L2 mm	D1 mm	D2 mm	mm	kg
660.0501	170	40.0	10.0	30.0	M10	0.40
660.0502	170	80.0	10.0	50.0	M10	0.90
660.0503	250	100.0	16.0	45.0	M10	1.30
660.0504	250	100.0	16.0	45.0	M10+G3/8"	1.40
660.0505	250	100.0	16.0	60.0	G3/8"	2.60

Universal bearing and bush driver set

- Universal applicable range
- Can be used manually with a hammer or workshop press
- Applications from 18.0 - 65.0 mm
- Pressure plates are for the two driving spindles
- Special steel
- In durable plastic storage case



700.1350	51 pcs	Universal bearing and bush driver set	8.00
----------	--------	---------------------------------------	------

consists of:

		kg
700.1348	Reception adaptor, 45mm	500
700.1349	Impact drive knurled grip, 220mm	42
700.1351	Pressure plate, 18mm	12
700.1352	Pressure plate, 19mm	14
700.1353	Pressure plate, 20mm	16
700.1354	Pressure plate, 21mm	20
700.1355	Pressure plate, 22mm	22
700.1356	Pressure plate, 23mm	27
700.1357	Pressure plate, 24mm	30
700.1358	Pressure plate, 25mm	34
700.1359	Pressure plate, 26mm	38
700.1360	Pressure plate, 27mm	43
700.1361	Pressure plate, 28mm	47
700.1362	Pressure plate, 29mm	50
700.1363	Pressure plate, 30mm	53
700.1364	Pressure plate, 31mm	59
700.1365	Pressure plate, 32mm	65
700.1366	Pressure plate, 33mm	68
700.1367	Pressure plate, 34mm	72
700.1368	Pressure plate, 35mm	77
700.1369	Pressure plate, 36mm	82
700.1370	Pressure plate, 37mm	89
700.1371	Pressure plate, 38mm	94
700.1372	Pressure plate, 39mm	97
700.1373	Pressure plate, 40mm	105
700.1374	Pressure plate, 41mm	111
700.1375	Pressure plate, 42mm	119
700.1376	Pressure plate, 43mm	125
700.1377	Pressure plate, 44mm	132
700.1378	Pressure plate, 45mm	138
700.1379	Pressure plate, 46mm	144
700.1380	Pressure plate, 47mm	153
700.1381	Pressure plate, 48mm	159
700.1382	Pressure plate, 49mm	165
700.1383	Pressure plate, 50mm	172
700.1384	Pressure plate, 51mm	181
700.1385	Pressure plate, 52mm	188
700.1386	Pressure plate, 53mm	196
700.1387	Pressure plate, 54mm	205
700.1388	Pressure plate, 55mm	213
700.1389	Pressure plate, 56mm	221
700.1390	Pressure plate, 57mm	231
700.1391	Pressure plate, 58mm	238
700.1392	Pressure plate, 59mm	247
700.1393	Pressure plate, 60mm	258
700.1394	Pressure plate, 61mm	266
700.1395	Pressure plate, 62mm	276

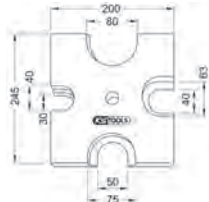
consists of:

700.1396	Pressure plate, 63mm	284	
700.1397	Pressure plate, 64mm	294	
700.1398	Pressure plate, 65mm	305	
700.1399	Support plate, 75mm	500	

PRISMS

Universal prism plate Ø 40.0/63.0/75.0/80 mm

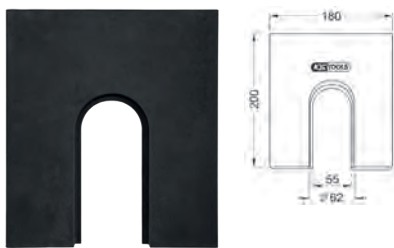
- Universally usable plates
- For the pressing on and off of bearing on rear axles, engines and transmissions
- Special steel



	Length mm	Width mm	kg
700.1738	245.0	200.0	7.32

Prism plate Ø 62,0 mm

- Universally usable plates
- For pressing on and off bearings or cogs on bearing shafts, e.g. on engines, transmissions, etc.
- in connection with workshop presses
- Special steel



	Length mm	Width mm	kg
700.1739	200.0	180.0	4.36

Prism plate Ø 67,0 mm

- Universally usable plates
- For pressing on and off bearings or cogs on bearing shafts, e.g. on engines, transmissions, etc.
- in connection with workshop presses
- Special steel



	Length mm	Width mm	kg
700.1742	200.0	180.0	4.28

Prism plate Ø 72,0 mm

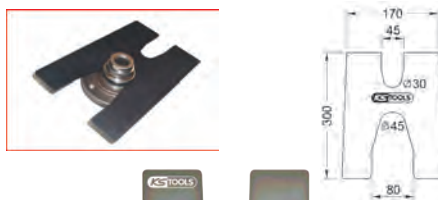
- Universally usable plates
- For pressing on and off bearings or cogs on bearing shafts, e.g. on engines, transmissions, etc.
- in connection with workshop presses
- Special steel



	Length mm	Width mm	kg
700.1743	200.0	180.0	4.14

Prism plate extra narrow, Ø 30,0/45.0 mm

- Universally usable plates
- Especially suitable for tight spaces (up to 4 mm)
- For pressing on and off bearings or cogs on bearing shafts, e.g. on engines, transmissions, etc.
- Special steel



	Length mm	Width mm	kg
700.1744	300.0	170.0	1.10

OIL SERVICE TOOLS

Transmission oil dipstick

- Universal usages for many vehicle types
- Ideal for the easy, quick and correct control of transmission oil levels
- Saves a lot of time
- No other tools necessary
- Precise calculation of the oil level with the installed scale
- Even when the transmission oil control screw is hard to reach the check is no problem
- With two component handle

Application range: Audi 80, 100, A4, A6, S4, RS4 for transmissions: 012/01, 01E, 012, Multitronic transmission Volkswagen Passat, T4 Syncro for transmission: 012/01, 02G, etc.



	L mm	Scale length	Scale division	kg
150.9266	360.0	15.0 mm	0.01 mm	90

Oil control rod for Mercedes Benz

- Ideal for the easy, quick and correct control of engine and automatic transmission oil levels
- Essential following an oil change, since vehicles are shipped without a measuring device and only have a plug
- Time-saving and reliable measurements
- With plastic hand grip



150.9280	4 pcs	Oil control rod for Mercedes Benz	380	

consists of:

		Transmission gear ID	kg
150.9281	Oil dip stick, 1220 mm	772.6_L, G, P, V	160
150.9282	Oil dip stick, 920 mm	772.7_P, 772.8_P, 716.5_V	120
150.9283	Oil dip stick, 930 mm	103, 104, 111, 119, 120, 137, 603	40
150.9284	Oil dip stick, 930 mm	M112, 113, 646, 647, 648	40

Flexible oil service bit socket for internal hexagon screws

- Internal hexagon
- Special flexible bit socket for actuating the transmission oil control screw on manual and automatic transmissions
- For hard to reach places
- Internal square drive to DIN 3120/ISO 1174
- With press fitted insert bit
- For machinery usage
- Phosphate
- Chrome molybdenum

Application range: Audi, Seat, Volkswagen with manual and automatic transmissions



	mm	Length mm	kg
150.9257	17,0	48,2	110

Oil drain bit socket for spline (XZN®) screws

- Multi-tooth (XZN®) with tamper proof screws
- Special bit socket for assembly and disassembly of oil drain and transmission oil control screw
- Internal square drive to DIN 3120/ISO 1174 with ball reception
- With press fitted nickel plated insert bit
- Perfect profile for correct actuation
- For manual operation
- Chrome plated and mirror polished
- Chrome vanadium

Application range: Audi A2, A3, A4, A6/ Škoda Fabia, Octavia, Superb/ Volkswagen Passat, Golf IV, LT, etc.

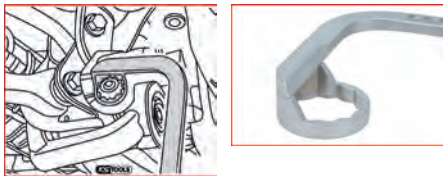


			L mm	kg
150.1437	3/8"	M16	37.0	55
150.9364	1/2"	M16	50.0	140

Oil filter wrench for Haldex transmission

- For quick and correct assembly and disassembly of the hard to reach oil filter on the Haldex transmission
- 12-point
- Matt finish
- Chrome vanadium

Application range: Volkswagen Golf/Passat/Sharan/Caddy/Tiguan/Transporter T5 (4MOTION Models), Škoda Yeti/Octavia II/Superb II with all-wheel transmission shift



	mm	L mm	g
150.2098	46,0	390,0	770

Oil service wrench hexagonal point for Fiat/Alfa Romeo

- For the quick and correct assembly and disassembly of the reduction screws on the oil sump, transmissions and differential
- Internal hexagon
- Specially shaped for use
- For manual operation
- Matt finish
- Chrome vanadium

Application range: Alfa Romeo, Fiat, Lancia, Lada, etc.



	mm	Length mm	g
150.9227	12	225,0	280

Oil service wrench square socket for PSA

- For the quick and correct assembly and disassembly of the reduction screws on the oil sump, transmissions and differential
- Internal square
- Specially shaped for use
- For manual operation
- Matt finish
- Chrome vanadium

Application range: Renault, Dacia, Peugeot, Citroën, etc.



	mm	Length mm	g
150.9228	8x10	270,0	275

Oil service hexagon wrench for Mercedes and BMW

- For the quick and correct assembly and disassembly of the oil filling screw on the transmission
- Internal hexagon
- External hexagon
- Specially shaped for use
- For manual operation
- Matt finish
- Chrome vanadium

Application range: Mercedes W107, W123, W124, W126, W129, W163, W170, W201, W202, W203, W208, W210, W215, W220 Gearbox: 100, 110, 115, 116, 117, 615, 616, 617; BMW



	mm	mm	Length mm	g
150.9231	14,0	17,0	235,0	230

Oil service hexagon wrench for Mercedes and BMW

- For the quick and correct assembly and disassembly of the oil filling screw on the transmission
- Internal hexagon
- External hexagon
- Specially shaped for use
- For manual operation
- Matt finish
- Chrome vanadium

Application range: Mercedes Gearbox: 102, 103, 104, 110, 115, 116, 117, 119, 120, 123; BMW



	mm	mm	Length mm	g
150.9232	14,0	13,0	235,0	230

Oil service wrench for VAG

- For the quick and correct assembly and disassembly of the oil filling screw on the transmission and the oil drain plug on the oil sump
- Internal hexagon
- External hexagon
- Specially shaped for use
- For manual operation
- Matt finish
- Chrome vanadium

Application range: Audi, Seat, Škoda and Volkswagen



	mm	mm	Length mm	g
150.9233	21,0	17,0	250,0	240

Oil service internal hexagon wrench

- For the quick and correct assembly and disassembly of the reduction screws on the oil sump, transmissions and differential
- Internal hexagon
- With joint
- For manual operation
- Matt finish
- Chrome vanadium

Application range: Renault, Peugeot, Citroën, Volvo, etc.



	mm	Length mm	g
150.9225	10x14	256,0	280

8 in 1 Oil service wrench

- For the quick and correct assembly and disassembly of the oil reduction and oil filling screws on transmission, the oil sump and differential
- Special wrench with 8 gear profiles
- Profile change by turning the wrench head
- For manual operation
- Special steel

Profile and wrench widths:
4-point: 10.0 - 11.0 - 12.0 - 13.0 - 14.0 - 15.0 mm
8-point: 14.0 - 17.0 mm

Application range: Audi, Seat, Ford, Renault, Volkswagen, etc.



	Ø mm	Length mm	g
150.9237	45,5	155,0	330

8 in 1 Oil service wrench

- For the quick and correct assembly and disassembly of the oil reduction and oil filling screws on transmission, the oil sump and differential
- Special wrench with 8 gear profiles
- Profile change by turning and snapping the wrench head
- For manual operation
- Matt chrome
- Special steel

Profile and wrench widths:
4-point: 8.0 - 10.0 mm - 3/8" - 1/2"
6-point: 10.0 - 12.0 - 14.0 - 17.0 mm

Application range: Audi, Seat, Ford, Renault, Volkswagen, etc.



	L mm	D1 mm	D2 mm	g
150.9302	270,0	40,0	50,0	620

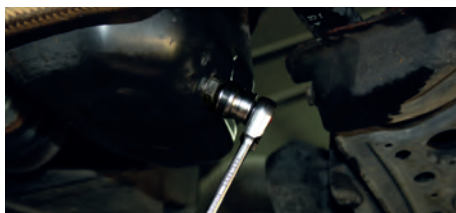
Oil service hexagonal socket with magnet

- 6-point
- FlankTraction profile
- Special socket for assembly and disassembly of oil drain and transmission oil control screw
- With strong, integrated magnets
- The magnets prevent the screws from falling down into the collection pans
- Internal square in accordance with DIN 3120/ISO 1174
- Perfect profile for correct actuation
- For manual operation
- Matt finish
- Chrome vanadium

Application range: Audi, Alfa Romeo, Ford, Mercedes, Nissan, Toyota, Volkswagen, etc.



	mm	Ø mm	Length mm	g
150.1404	13	19,0	20,5	23
150.1405	14	20,0	20,5	23
150.1406	17	24,0	34,0	34
150.1407	18	25,0	23,5	40
150.1408	19	26,0	44,0	44
150.1409	21	29,0	23,5	60



Oil service TX socket with magnet

- TX with pins
- Special socket for assembly and disassembly of oil drain and transmission oil control screw
- With strong, integrated magnets
- The magnets prevent the screws from falling down into the collection pans
- Internal square in accordance with DIN 3120/ISO 1174
- Perfect profile for correct actuation
- For manual operation
- Matt finish
- Chrome vanadium

Application range: Opel, Mercedes, Fiat, etc.



	Ø mm	Length mm	g	
150.1415	T45	19,0	34,0	31

Oil service bit socket for internal square screws with magnet

- Internal square
- Special socket for assembly and disassembly of oil drain and transmission oil control screw
- With strong, integrated magnets
- The magnets prevent the screws from falling down into the collection pans
- Internal square in accordance with DIN 3120/ISO 1174
- Perfect profile for correct actuation
- For manual operation
- Matt finish
- Chrome vanadium

Application range: Renault, Dacia, Ford, Opel, Mitsubishi, Nissan, Volvo, etc.



	mm	Ø mm	Length mm	g
150.1416	8	19,0	30,0	32
150.1438	9,5	19,0	30,0	34
150.1417	10	19,0	30,0	35
150.1429	10,5	19,0	30,0	38
150.1433	11	19,0	30,0	40
150.1434	13,1	19,0	30,0	42

Oil service bit socket for internal hexagon screws with magnet

- Internal hexagon
- Special socket for assembly and disassembly of oil drain and transmission oil control screw
- With strong, integrated magnets
- The magnets prevent the screws from falling down into the collection pans
- Internal square in accordance with DIN 3120/ISO 1174
- Perfect profile for correct actuation
- For manual operation
- Matt finish
- Chrome vanadium

Application range: Audi, Seat, Opel, Fiat, Ford, Volkswagen, etc.



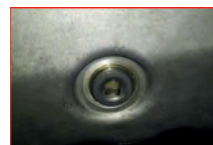
	mm	Ø mm	Length mm	g
150.1436	8	19,0	30,0	32
150.1439	9	19,0	30,0	34
150.1441	10	19,0	30,0	35
150.1442	12	19,0	30,0	38
150.1443	13	19,0	30,0	40
150.1444	14	19,0	30,0	42
150.1446	17	19,0	30,0	52



Oil service square socket

- 4 point
- Special socket for assembly and disassembly of oil drain and transmission oil control screw
- Internal square in accordance with DIN 3120/ISO 1174
- Perfect profile for correct actuation
- For manual operation
- Matt finish
- Chrome vanadium

Application range: BMW, Ford, Renault, Toyota, etc.

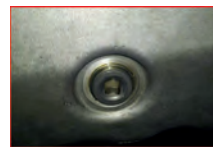


	mm	Ø mm	Length mm	g
150.1426	10	19,0	36,0	47

Oil service bit socket for internal triangle

- Internal triangle
- Special socket for assembly and disassembly of oil drain and transmission oil control screw
- Internal square in accordance with DIN 3120/ISO 1174
- Perfect profile for correct actuation
- For manual operation
- Matt finish
- Chrome vanadium

Application range: Renault, Citroën, Peugeot, etc.

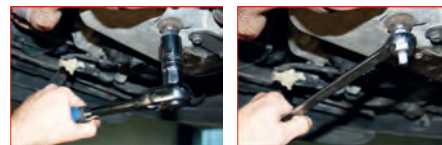


	Ø mm	Length mm	g	
150.1427	10	19,0	36,0	38

Oil service wrench set

- For conical screws on the oil sump, transmission differential, etc.
- Special wrench set for the assembly and disassembly of most oil drains and transmission oil control screws
- External drive hexagonal socket 21.0 mm
- Perfect profile for correct actuation
- For manual operation
- Matt finish
- Chrome vanadium
- In durable steel storage case

Application range: Audi, Ford, Renault, Peugeot, Mercedes, etc.



	g
150.9390 6 pcs Oil service wrench set	800

consists of:

150.9391	Oil drain screw hexagon-Socket 8 + 10 mm	110	
150.9392	Oil drain screw socket hexagon 5/16" + 3/8"	110	
150.9393	Oil drain screw hexagon 8 mm + 3/8" (10 mm)	110	
150.9394	Oil drain screw hexagon-Socket 12 mm + square 11 mm	110	
150.9395	Oil drain screw hexagon-Socket 14 mm + square 13 mm	110	
150.9396	Oil drain screw hexagon-Socket 17 mm + 1/2"	110	

MASTER oil service bit socket set

- For screws on oil sumps, transmission, differential, etc.
- Special wrench set for the assembly and disassembly of most oil drains and transmission oil control screws
- In parts with strong, integrated magnets
- The magnets prevent the screws from falling down into the collection pans
- Internal square drive to DIN 3120/ISO 1174
- Perfect profile for correct actuation
- For manual operation
- Matt finish
- Chrome vanadium
- Includes storage rail

Application range: Audi, Ford, Renault, Peugeot, Mercedes, Volkswagen, etc.



3/8"

150.1445	23 pcs MASTER oil service bit socket set	960	

consists of:

150.1404	Oil service hexagonal socket with magnet, 13 mm	23	
150.1405	Oil service hexagonal socket with magnet, 14 mm	23	
150.1406	Oil service hexagonal socket with magnet, 17 mm	34	
150.1407	Oil service hexagonal socket with magnet, 18 mm	40	
150.1408	Oil service hexagonal socket with magnet, 19 mm	44	
150.1409	Oil service hexagonal socket with magnet, 21 mm	60	
150.1436	3/8" Oil service bit socket for internal hexagon screws with magnet, 8 mm	32	
150.1439	3/8" Oil service bit socket for internal hexagon screws with magnet, 9 mm	34	
150.1441	3/8" Oil service bit socket for internal hexagon screws with magnet, 10 mm	35	
150.1442	3/8" Oil service bit socket for internal hexagon screws with magnet, 12 mm	38	
150.1443	3/8" Oil service bit socket for internal hexagon screws with magnet, 13 mm	40	
150.1444	3/8" Oil service bit socket for internal hexagon screws with magnet, 14 mm	42	
150.1446	3/8" Oil service bit socket for internal hexagon screws with magnet, 17 mm	52	
150.1416	3/8" Oil service bit socket for internal square screws with magnet, 8 mm	32	
150.1438	3/8" Oil service bit socket for internal square screws with magnet, 10,5 mm	34	
150.1417	3/8" Oil service bit socket for internal square screws with magnet, 10 mm	35	
150.1429	3/8" Oil service bit socket for internal square screws with magnet, 10,5 mm	38	
150.1433	3/8" Oil service bit socket for internal square screws with magnet, 11 mm	40	
150.1434	3/8" Oil service bit socket for internal square screws with magnet, 13,1 mm	42	
150.1437	3/8" Oil service XZN socket with tamper proof screws, M16	55	
150.1415	Oil service TX socket with magnet, T45	31	
150.1426	Oil service square socket, 10 mm	47	
150.1427	3/8" Oil service bit socket for internal triangle, 10 mm	38	

HAND PUMPS

Syringe for fluid change 0.2 l

- Ideal tool for decanting, removing or dosing liquids to transmissions, power steering, hydraulics, engines, etc.
- Suitable for fuel oil, water and antifreeze
- Fine dosing
- Overflowing material can be pumped back problem-free
- Includes rubber hose
- Robust metallic design



150.1684	0.2	8	10	290	290	365

Syringe for fluid change 0.2 l

- Ideal tool for decanting, removing or dosing liquids to transmissions, engines (sic) power steering, hydraulics, engines, etc.
- Suitable for fuel oil, water and antifreeze
- Fine dosing
- Overflowing material can be pumped back problem-free
- Includes rubber hose with flow stop cap
- Robust PP design



150.9221	0.2	6	8	210	210	245

Syringe for fluid change 1.5 l

- Ideal tool for decanting, removing or dosing liquids to transmissions, engines (sic) power steering, hydraulics, engines, etc.
- Suitable for fuel oil, water and antifreeze
- Fine dosing
- Overflowing material can be pumped back problem-free
- Includes rubber hose with flow stop cap
- Robust PP design



150.9222	1.5	14	16	320	320	900

FILLING

DSG transmission oil filling hose for VAG

- Ideal for problem-free, simple and clean filling and refilling
- Exact dosing
- For different direct shift gearboxes
- The return valve prevents dirtying from unintentional oil spills
- The oil fill adapter is screwed directly onto the 1 litre oil container tank
- Suitable for many manufacturers and industry standard oil container tanks (VAG G 052 182 A2)
- Robust aluminium connection adapter

Application range: Audi, Seat, Škoda and Volkswagen with DSG transmission



150.9220	M24x1,5mm	1500	270

DSG transmission oil filling hose for Audi

- Ideal for problem-free, simple and clean filling and refilling
- Exact dosing
- For different direct shift gearboxes
- The return valve prevents dirtying from unintentional oil spills
- The oil fill adapter is screwed directly onto the 1 litre oil container tank
- Suitable for many manufacturers and industry standard oil container tanks (VAG G 052 529 A2)
- Robust aluminium connection adapter

Application range: Audi (>2008) with DSG transmission



150.9229	M24x1,5mm	2000	360

CVT transmission oil filling hose for VAG

- Ideal for problem-free, simple and clean filling and refilling
- Exact dosing
- For different stage-free transmission
- The return valve prevents dirtying from unintentional oil spills
- The oil fill adapter is screwed directly onto the 1 litre oil container tank
- Suitable for many manufacturers and industry standard oil container tanks (VAG G 052 180 A2)
- Robust aluminium connection adapter

Application range: Audi, Seat, Škoda and Volkswagen with CVT transmission (Multitronic)



150.9223	M22x1,5mm	2000	360

Haldex transmission filling hose for VAG

- Ideal for problem-free, simple and clean filling and refilling
- Exact dosing
- For various Haldex transmissions
- The return valve prevents dirtying from unintentional oil spills
- The oil fill adapter is screwed directly onto the 1 litre oil container tank
- Suitable for many manufacturers and industry standard oil container tanks (VAG G 055 175 A2)
- Robust aluminium connection adapter

Application range: Audi, Seat, Škoda and Volkswagen with Haldex transmission



	Transmission thread	tube length mm	
150.9224	M10x1,0mm	2000	260

Universal transmission oil filling system set incl. 15 piece adapter set

- Ideal for filling transmission, distributor transmission and differentials of different vehicle manufacturers with oil
- Large coverage of many vehicle manufacturers in particular with universal adapter
- Many transmission cannot be filled without this tool
- Optimal for narrow places or hard-to-reach places
- Includes 15 piece adapter set with various angle tails for correct and economic filling
- Quick filling by unscrewing the pump units is possible
- Precise hand pump
- Includes return flow function
- For difficult-to-access areas
- Secure stand thanks to large base
- Container with filling level scale
- Easy to use and saves time

Application range: Audi, Ford, BMW, Mercedes, Volkswagen, Škoda, Volvo, Toyota, Lexus, Nissan, Infinity etc.



Technical data:

Capacity:	7.5 l
Tube length:	1600.0 mm
Tube diameter:	1/2"
Quantity per stroke:	80 cc
Viscosity:	- SAE 140

150.9275	16 pcs Universal transmission oil filling system set incl. 15 piece adapter set	4.80

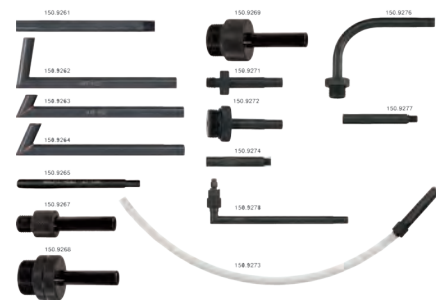
consists of:

150.9258	Transmission oil filling device without adapter	3.50
150.9279	Transmission oil filling adapter set 15 piece	1.30

Universal transmission oil filling adapter set

- Ideal for filling transmission, distributor transmission and differentials of different vehicle manufacturers with oil
- Large coverage of many vehicle manufacturers in particular with universal adapter
- Many transmission cannot be filled without this tool
- Optimal for narrow places or hard-to-reach places
- With various angle tails for correct and economic filling
- For difficult-to-access areas
- Easy to use and saves time
- In durable plastic storage case

Application range: Audi, Ford, BMW, Mercedes, Volkswagen, Škoda, Volvo, Toyota, Lexus, Nissan, Infinity etc.



150.9279	15 pcs Universal transmission oil filling adapter set	1.30

consists of:

150.9261	Adapter pipe straight, Ford, Ø 10 GL=120 x AL = 110 with thread	43
150.9262	Angled adapter pipe, universal, Ø 10 GL = 140 x 45 mm	65
150.9263	Angled adapter pipe, VAG, Ø 10 GL = 150 x 18 mm	58
150.9264	Angled adapter pipe, VAG, Ø 10 GL = 150 x 30 mm	61
150.9265	Adapter pipe straight, VAG, Ø 10 GL = 100 x AL = 85 with thread	33
150.9267	Screw adapter, Mercedes transmission number 722.9, M12 x 1.5	53
150.9268	Screw adapter, VAG DSG, M24 x 1.5	110
150.9269	Screw adapter, VAG CVT, M22 x 1.5	90
150.9271	Screw adapter, Škoda, M18 x 1.5	65
150.9272	Screw adapter, Škoda/VAG, M30 x 1.5	150
150.9273	Flexible universal adapter, 300 mm	35
150.9274	Adapter line for Volvo, 5/16"-24"	22
150.9276	Adapter line for Toyota/Lexus, M18 x 1.5	89
150.9277	Adapter line for Nissan/Infinity, M8 x 1.0	25
150.9278	Angled ATF adapter for Volkswagen Passat	93



Flexible funnel with aluminium body

- Ideally suited to a clean and control draining of all fluids, e.g. oil, coolant, brake fluid, fuel, etc.
- Resistant to petrol, diesel, oil, coolant, hydraulic and brake fluid
- Also suitable as a funnel for filling
- Shape is maintained and can be altered at any time
- Free malleable, therefore can be adapted for extremely tight spaces
- Problems with draining fluids are a thing of the past
- The heavy-duty construction can be fit to any desired shape and used again
- Easy to clean
- Temperature resistance of -34 to +232 °C
- Aluminium frame
- Outer skin made from nitrile rubber



	Length mm	Width mm	
150.9303	372.0	170.0	240

DRIP PANS

Oil drain pan 7.5 litres

- With three carry handles
- Safe and clean pouring with the self-contained overflow edge and spout
- Ideally suited to collecting different fluids
- Suitable for oil, chemicals, petrol, acid and anti-freeze fluid
- Also suitable for cleaning parts
- Practical, quick and friendly to the environment
- Shock-proof



	Ø mm	H mm	
150.9359	385.0	130.0	620

Oil drain pan 8 litres

- With three carry handles
- Safe and clean pouring with the spout
- Ideally suited to collecting different fluids
- Suitable for oil, chemicals, petrol, acid and anti-freeze fluid
- Also suitable for cleaning parts
- Practical, quick and friendly to the environment
- Screwed connection with rubber seal for safe transport
- Shock-proof



	B mm	H mm	L mm	
150.9357	340.0	120.0	600.0	1.06

Oil drain pan 17 litres

- With three carry handles
- Safe and clean pouring with the self-contained overflow edge and spout
- Ideally suited to collecting different fluids
- Suitable for oil, chemicals, petrol, acid and anti-freeze fluid
- Also suitable for cleaning parts
- Practical, quick and friendly to the environment
- Shock-proof



	Ø mm	H mm	kg
150.9360	445,0	145,0	1,16

Oil drain pan 17 litres

- With three carry handles
- Safe and clean pouring with the self-contained overflow edge and spout
- Ideally suited to collecting different fluids
- Suitable for oil, chemicals, petrol, acid and anti-freeze fluid
- Also suitable for cleaning parts
- Practical, quick and friendly to the environment
- Shock-proof



	Ø mm	H mm	kg
150.9361	445,0	145,0	1,16

Mobile oil drain pan, 30 litres, extra flat with castors

- With five carry handles
- 12,0 cm high, extra flat edges
- Safe and clean pouring with the closed contained and spout
- Ideally suited to collecting different fluids
- Suitable for oil, chemicals, petrol, acid and anti-freeze fluid
- Also suitable for cleaning parts
- With four steerable castors
- Practical, quick and friendly to the environment
- Includes removable sieve
- Screwed connection with rubber seal for safe transport
- Shock-proof



	B mm	H mm	L mm	kg
150.9354	600,0	120,0	850,0	5,60

Oil drain pan 55 litres, extra flat

- With four carry handles
- 11,0 cm high, extra flat edges
- Safe and clean pouring with the self-contained overflow edge and spout
- Ideally suited to collecting different fluids
- Suitable for oil, chemicals, petrol, acid and anti-freeze fluid
- Also suitable for cleaning parts
- Practical, quick and friendly to the environment
- Shock-proof
- Polyethylene



	L mm	B mm	H mm	kg
150.9358	1030,0	724,0	110,0	6,80

OLD OIL FALL ARRESTERS

Vacuum fluid extractor suction pump 9.5 litre

- Ideal for quick, clean and simple suction, intake and emptying of fluids
- Suitable for engine oil, transmission oil, hydraulic oil, brake fluid, water, etc.
- For pneumatic use with a compressor or manual use with the integrated hand pump
- Select a suitable probe and suck easily using the vacuum principle
- Suction process automatically stopped when housing is full, preventing fluids from spilling over
- With integrated pressure relief valve for more safety
- With high-quality pump housing and strengthened pump head
- Includes 4 probes for different uses
- Ideally suited to hard-to-reach places thanks to the included, long suction hose
- The suction hose is resistant to petrol and oil
- Polyethylene

Application range: Passenger cars, transporters and MPVs, commercial vehicles, tractors, agricultural and construction machinery, industrial uses



Technical data:

Work pressure:	5-11,5 bar
Capacity:	9,5 l
Operating temperature:	+0°C to +55°C
Filling tube length:	1,5 m
Max. flow rate:	125 l/min

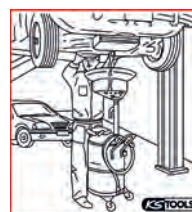
		kg
160.0790	5 pcs Vacuum fluid extractor suction pump 9.5 litre	5,00

consists of:

		kg
160.0791	Vacuum fluid extractor suction pump 9.5 litre	3,708
160.0792	Adaptor and tube 4x8mm x1,5m	200
160.0793	Main probe 7.8 x 9.8 mm x 1 m	200
160.0794	Probe 5.3 x 6.7 mm x 1 m	200
160.0795	Probe 3.5 x 4.5 mm x 1 m	200

Mobile oil draining device 60 litre

- Basic unit for old oil capture and re-filling
- Pneumatic pressure emptying with manometer and safety valve
- Emptying takes approximately 3 minutes at 0,8 bar
- Heavy deposits can also be removed via a plate on the underside
- Mobile and connectible container with extra-large plastic wheels
- With carry handle
- Stop cock and clamping screws to release pressure
- Extremely manoeuvrable and ideal for workshop design
- Centrally mounted and height-adjustable round drip pan
- Side filling display with measuring scales
- Includes clear fabric hose for draining



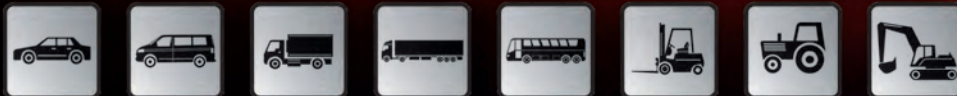
Technical data:

Capacity of container:	60 l
Capacity of catch:	ca.16 l
Collection container dimensions:	490 x 580 x 1040 mm
Collection pan dimensions:	Ø 380 mm
Height adjustment:	1040 - 1700 mm

		kg
160.0001	60	32,00



THE BEST CHOICE FOR THE MECHANIC



TOOL CHANNEL
www.toolchannel.com

CLIP FINDER.COM
www.clipfinder.com

MOTOR
EINSTELLWERKZEUGE
www.timingtools.de



kstools.com

KSTOOLS®

Innovation is
our mission!